

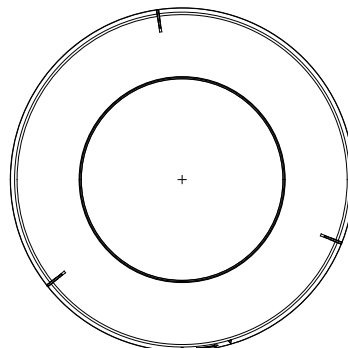
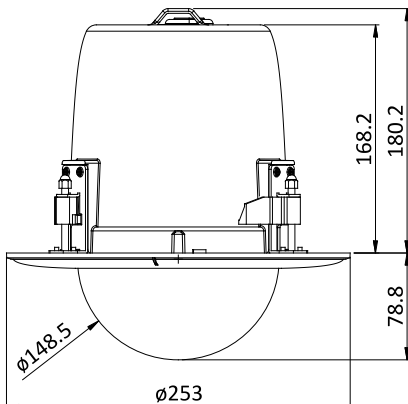
2M X30 HD IP Indoor PTZ Camera



Feature

- 2M X30 HD IP Indoor PTZ Camera
- X360 Zoom Control(Optical X30 / Digital X12)
- MIN. Illuminance : 0.025 Lux(B/W) @ DSS On
- True Day & Night(ICR)
- BLC / WDR / De-Fog / Noise Reduction
- Image Stabilization
- 8 Privacy Masks with Spherical Coordinates
- Super Speed(500°/SEC.) with 360° Endless Pan Rotation
- The Shortest Path with Vector Drive Technology
- Micro Control(0.05°/SEC.) with Micro Stepping Control Technology
- 209 Presets / 10 Swings / 4 Patterns / 8 Groups
- 8 Scheduler Functions with RTC(Real Time Clock)
- 1 CVBS Output
- RS-485 with Pelco-D Protocol
- 1 Sensor Input / 1 Sensor Output
- Audio Input & Output
- Memory Slot
- Vandalproof
- DC 12V
- Optional High PoE(PoE+) 802.3aT

Dimension



Specification

Model	HIP-CZ30WC	
Image Sensor	1/3" Panasonic CMOS Sensor	
Pixel	2,000K Pixels	
Zoom	Optical X30 / Digital X12	
Video Signal to Noise	More than 50 dB	
Focal Length	F1.6 ~ 4.7, f=4.3 ~ 129.0mm	
Angle of View	Horizontal : 58.9°(Wide) ~ 2.11°(Tele)	
MIN. Illuminance	0.5 Lux(Color) / 0.1 Lux(B/W) @ DSS Off 0.125 Lux(Color) / 0.025 Lux(B/W) @ DSS On	
Day & Night	Auto / Day / Night(ICR)	
Focus	Auto / Manual / Semi-Auto	
AE Mode	Auto / Iris / Shutter / Manual	
White Balance	Auto / Indoor / Outdoor / Manual(Red, Blue Gain Adjustable)	
BLC	On / Off	
WDR	On / Off	
De-Fog	On / Off	
Aperture	Adjustable	
Noise Reduction	Auto / Off / 1 ~ 3 Level	
Image Stabilization	On / Off	
Privacy Zone	8 Masks with Spherical Coordinate	
Range	Pan : 360°(Endless) / Tilt : 90° Preset : 500° / SEC.	
Pan/Tilt Speed	Manual : 0.05° ~ 360° / SEC. (Zoom Proportional) Swing : 10° ~ 180° / SEC.	
Preset	209 Presets (Label, Independent Camera Parameter Setting)	
Pattern	4 Patterns [768 Commands(Approximate 5 Minutes) / 1 Pattern]	
Swing	10 Swings	
Group	8 Groups (MAX. 40 Actions with The Combination of Preset, Pattern and Swing)	
Scheduler Function	8 Scheduler Functions with RTC(Real Time Clock)	
Other Functions	Auto Flip, Auto Parking, Power-up Action and Others	
Video Output	CVBS, 1Vp-p	
RTC(Real Time Clock)	YES (RTC Battery Backup Time : Approximate 2 Weeks)	
Communication	RS-485	
Protocol	Pelco-D	
OSD	YES (English) with Password Protection	
Sensor Input	1 Input, Photo-Coupler Type	
Alarm Output	1 Output, Relay Output, MAX. Load DC 24V / 1.0A or AC 125V / 0.5A	
Audio Input / Output	Mono, Line In / Out	
Network Interface	Ethernet 10/100 Base-T (RJ-45)	
Memory Slot	Micro SD	
Physical	Dimension	Dome : $\varnothing 148.5\text{mm} / \varnothing 5.9''$ 253(\varnothing) x 259(H) [mm] / 10.0(\varnothing) x 10.2(H) ["]
	Weight	2.3 kg / 5.1 lb
	Material	Dome : Poly Carbonate / Housing : ABS + Poly Carbonate
	Rated Power	DC 12V / 1.8A
	PoE	Optional / High PoE(PoE+) 802.3aT
Operating TEMP.	0°C ~ 40°C / 32°F ~ 104°F	

Specification & Design are subject to change without prior notice.

2M X30 HD IP Indoor PTZ Camera



Feature

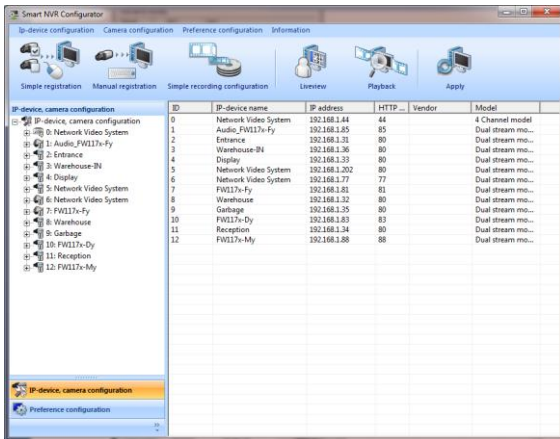
- High Image Quality with H.264
- H.264 & M-JPEG Dual Streaming
- Various Resolution Support
- Various Compression Level Support
- 30FPS @ 1920x1080
- 2 Way Live Audio
- Convenient Alarm Management
- Dynamic IP Support
- Various Network Protocol Support
- SDK Support
- ONVIF / PSIA Support

Specification

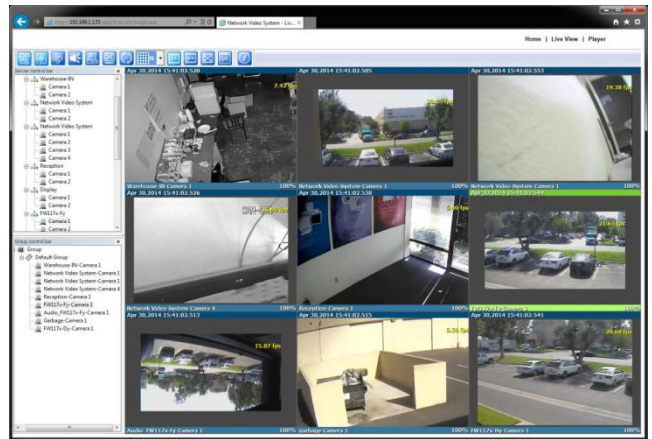
IP Part	
Video Compression	M-JPEG / H.264 Dual Streaming
Audio Compression	G.711 u-law, G.726 4 bits ADPCM
Resolution	MAX. Full HD(1080p30), 1920x1080, 1280x720, 640x352, 320x176
Compression Level	6 Levels (Low Compression / Highest / High / Normal / Low / Lowest)
Live Casting	Up to 30 FPS @ 1920x1080 Resolution
Audio Support	2 Way Live Audio
Transmission Control	VBR, CBR (32Kbps ~ 12Mbps)
Alarm Management	[Trigger] Video Loss / Video Recovered / Motion Detection / Sensor Input / Boot / Serial / Schedule and Others [Service] Image Buffering Service (8Mbytes Pre-Post Alarm Buffer), FTP/E-Mail Notification Service
Dynamic IP Support	Dedicated Dynamic IP Service using www.ipcctvdns.com
Security	Password Protection for Live, PTZ, Alarm Output and Audio
Software (IE)	Live-Cast and PTZ Control through Web Browser with Audio (MIN. PC Requirement : Windows XP, 2000, Vista / IE6.x or Higher / Pentium IV 1.6GHz or Higher)
CMS	Support Free 16 Channels, Full Featured PC NVR (MIN. PC Requirement : Windows XP, 2000 / Pentium IV 1.6GHz CPU or Higher / 256 Mbytes RAM or Higher / 64 Mbytes Video Memory or Higher)
Protocol	HTTP, TCP/UDP/IP, ARP, ICMP, RTP/RTSP, Multicast, Telnet, FTP, PPPoE, SMTP(E-Mail), DHCP, NTP, uPNP and Others ONVIF, PSIA Support
SDK	Open HTTP API, ActiveX for Live-Cast with Audio and PTZ
Installation & Maintenance	Configuration : Installation Wizard, HTTP, Telnet and Console Firmware Upgrade : HTTP, Telnet+FTP
Miscellaneous	Serial Input Data Transmission with Video, Different Time Zone Support, User-Wise Authentication Data and Time can be synchronized with an external NTP server, Live-Cast for up to 16 clients.

Specification & Design are subject to change without prior notice.

GUI



IP Finder



CMS